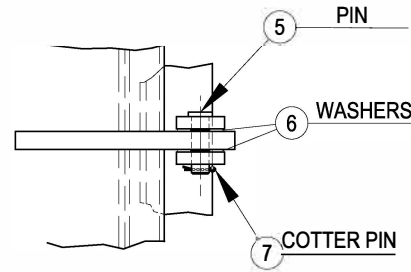
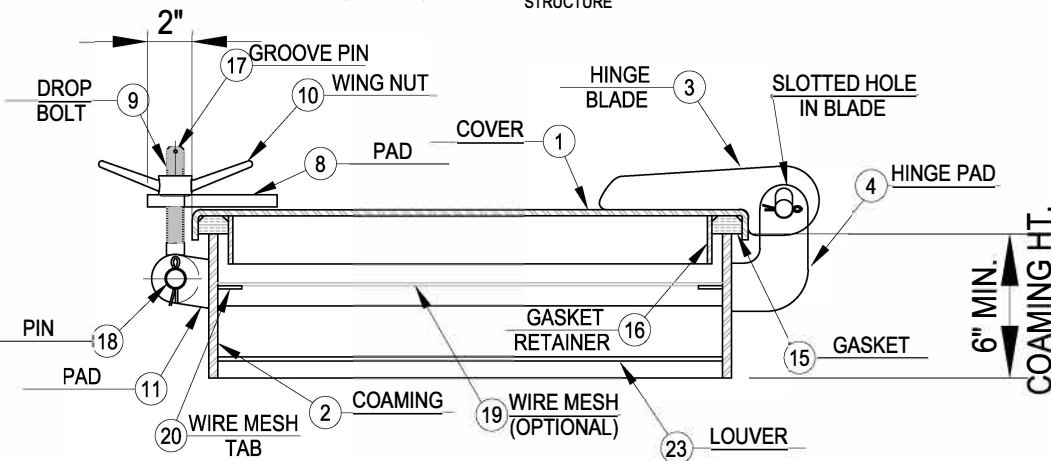


DETAIL OF HASP & EYE

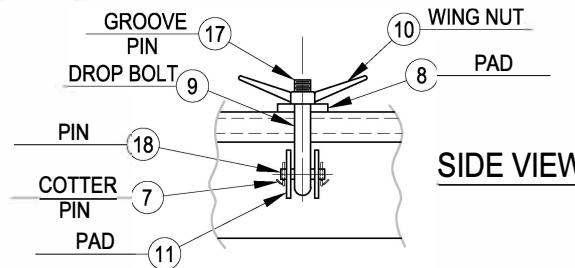


DETAIL OF HINGE

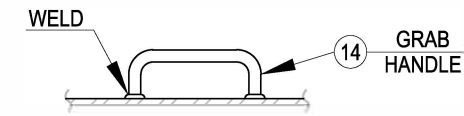
| SCHEDULE OF MATERIALS |            |                                            |
|-----------------------|------------|--------------------------------------------|
| PC.                   | MATERIAL   | REMARKS                                    |
| 1                     | MILD STEEL |                                            |
| 2                     | MILD STEEL |                                            |
| 3                     | MILD STEEL |                                            |
| 4                     | MILD STEEL |                                            |
| 5                     | BRASS      |                                            |
| 6                     | STAINLESS  |                                            |
| 7                     | STAINLESS  |                                            |
| 8                     | MILD STEEL |                                            |
| 9                     | BRONZE     |                                            |
| 10                    | BRONZE     |                                            |
| 11                    | MILD STEEL |                                            |
| 12                    | MILD STEEL |                                            |
| 13                    | MILD STEEL |                                            |
| 14                    | MILD STEEL |                                            |
| 15                    | NEOPRENE   |                                            |
| 16                    | MILD STEEL |                                            |
| 17                    | STAINLESS  |                                            |
| 18                    | BRASS      |                                            |
| 19                    | STAINLESS  | 304SS                                      |
| 20                    | STEEL      |                                            |
| 21                    | STEEL      |                                            |
| 22                    | STAINLESS  | 1/8" x 1" F.B. - 304SS                     |
| 23                    | STEEL      | 1/4" x 3" F.B. LOUVERS ON 3" CENTERS @ 45° |



SECTION



SIDE VIEW



DETAIL OF GRAB HANDLE

NOTES:

- A. LOUVERS INSTALLED ON 3" CENTERS @ 45°
- B. OPTIONAL BIRD SCREEN CAN BE REMOVABLE OR FIXED
- C. DESIGNED TO BE INSTALLED IN BULKHEAD
- D. WITH LOUVERS INSTALLED



Turner Supply  
 251-438-5581 or [contact@turnersupply.com](mailto:contact@turnersupply.com)  
 RAISED WATER TIGHT HATCH w/DROP BOLTS  
 WITH LOUVERS & OPTIONAL BIRD SCREEN  
 DWG. NO.: 226-MS

S/O#