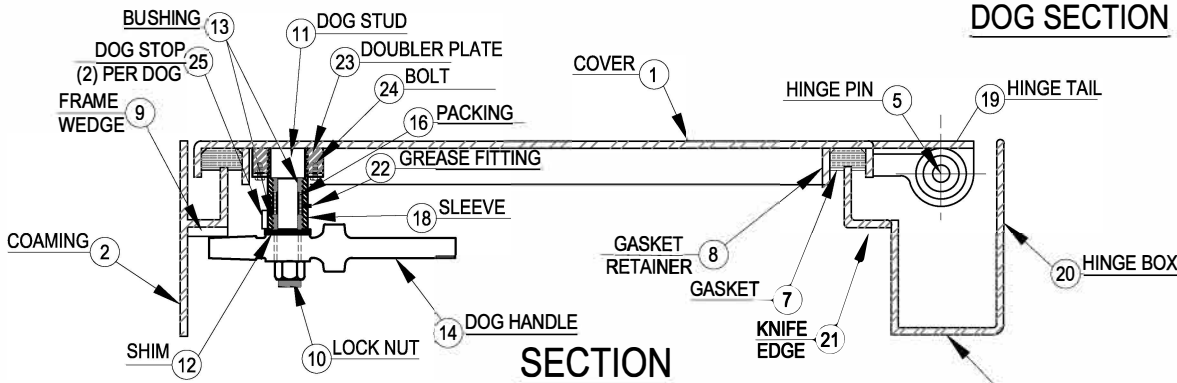
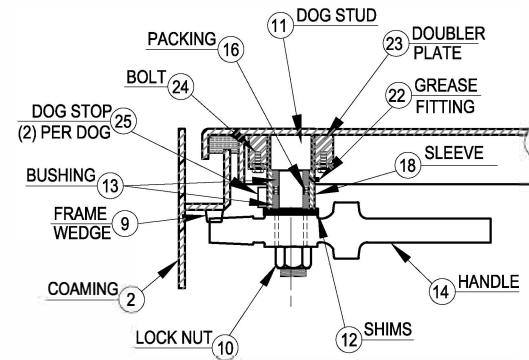
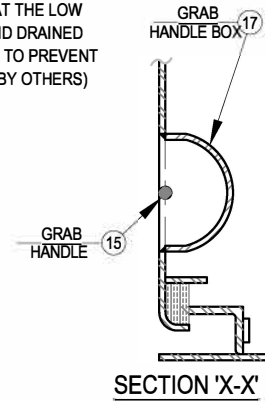
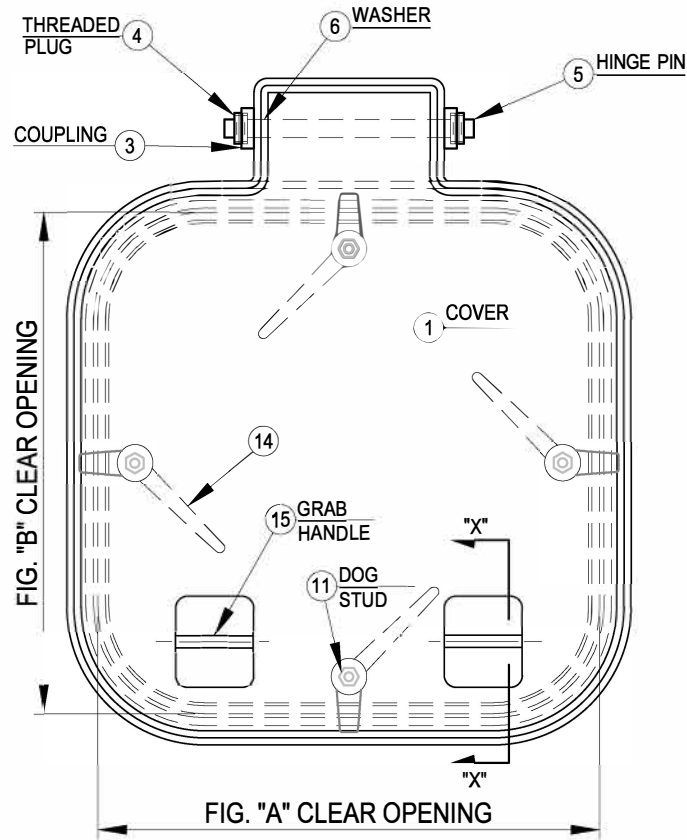


SCHEDULE OF MATERIALS

PC.	MATERIAL	REMARKS
1	MILD STEEL	
2	MILD STEEL	
3	MILD STEEL	
4	MILD STEEL	
5	COLD FINISH	
6	STAINLESS	
7	NEOPRENE	
8	MILD STEEL	
9	FORGED STEEL	
10	STAINLESS	
11	BRASS	
12	STAINLESS	
13	DELTRIN	
14	MANGANESE BRZ	
15	MILD STEEL	
16	TEFLON	
17	MILD STEEL	
18	MILD STEEL	
19	MILD STEEL	
20	MILD STEEL	
21	MILD STEEL	
22	PLATED STEEL	
23	MILD STEEL	
24	PLATED STEEL	
25	MILD STEEL	

NOTES:

1. AFTER INTALLATION, A 1" DIAMETER DRAIN HOLE MUST BE INSTALLED AT THE LOW POINT IN THE HINGE BOX AND DRAINED OVERBOARD OR TO A SUMP TO PREVENT CORROSION OR LEAKAGE. (BY OTHERS)



AFTER INSTALLATION, A 1" DRAIN HOLE PLUMBED OVERBOARD OR SUMP. (BY OTHERS)



Turner Supply
 251-438-5581 or contact@turnersupply.com
 FLUSH WATERTIGHT HATCH W/ BOTTOM OPERATED INDIVIDUAL DOGS
 DWG. NO.: 222-MS