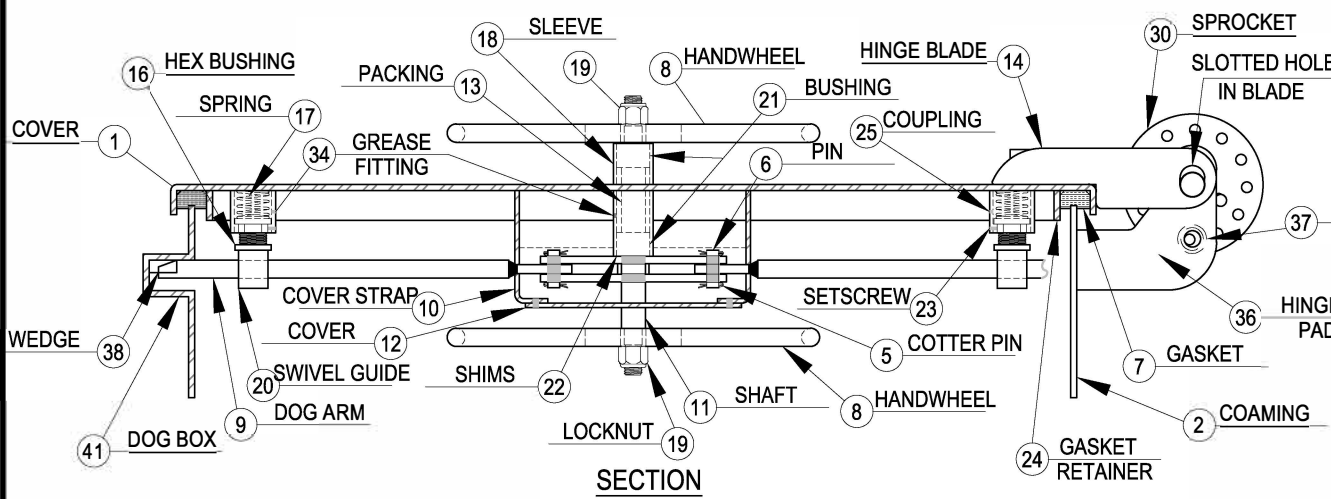
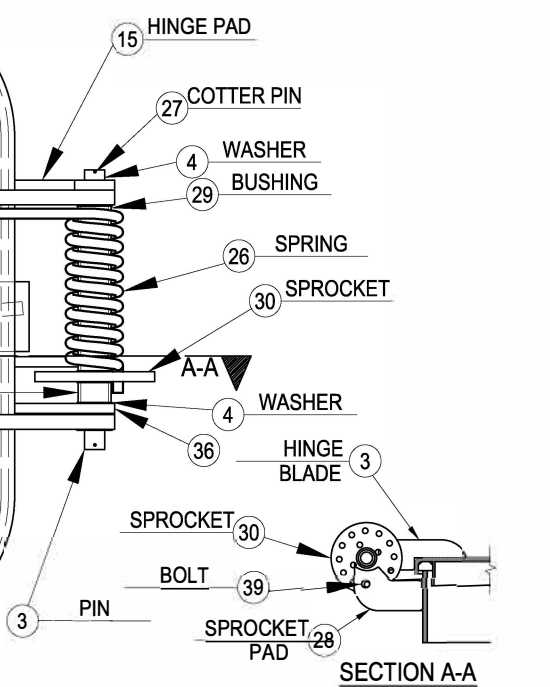
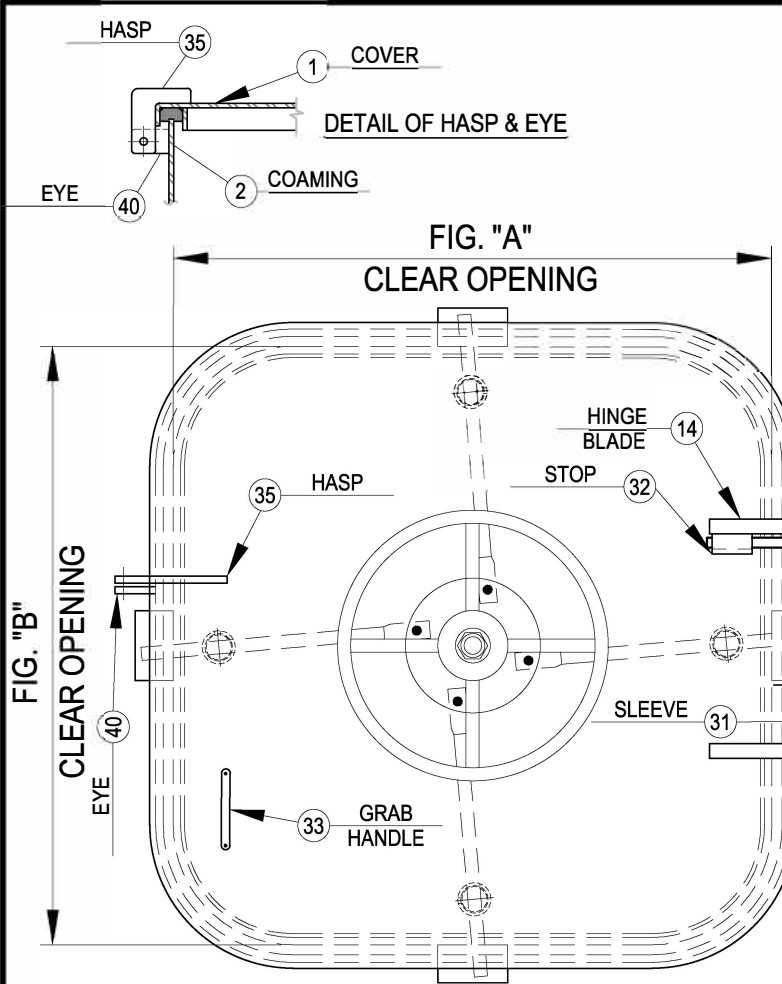


33	MILD STEEL
34	PLATED STEEL
35	MILD STEEL
36	MILD STEEL
37	MILD STEEL
38	MILD STEEL
39	STAINLESS
40	MILD STEEL
41	MILD STEEL

SCHEDULE OF MATERIALS		
PC.	MATERIAL	REMARKS
1	MILD STEEL	
2	MILD STEEL	
3	COLD FINISH	
4	STAINLESS	
5	STAINLESS	
6	BRASS	
7	NEOPRENE	
8	MILD STEEL	
9	MILD STEEL	
10	MILD STEEL	
11	COLD FINISH	
12	MILD STEEL	
13	TEFLON	
14	MILD STEEL	
15	MILD STEEL	
16	BRASS	
17	PLATED STEEL	
18	MILD STEEL	
19	PLATED STEEL	
20	BRASS	
21	DELTRIN	
22	STAINLESS	
23	PLATED STEEL	
24	MILD STEEL	
25	MILD STEEL	
26	STAINLESS	
27	STAINLESS	
28	MILD STEEL	
29	BRASS	
30	MILD STEEL	
31	MILD STEEL	
32	MILD STEEL	



Turner Supply
 251-438-5581 or contact@turnersupply.com
 SPRING ASSIST QUICK ACT. WATERTIGHT HATCH
 DWG. NO.: 202-MS